



ELECTRIC GRASS TRIMMER

2.8-AMP | 10-INCH

OPERATOR'S MANUAL

A Division of Snow Joe®, LLC

Model TRJ608E

Form No. SJ-TRJ608E-880E-M

IMPORTANT! Safety Instructions

Read All Instructions

⚠️ WARNING! When using electric gardening appliances, basic safety precautions should always be followed to reduce the risk of fire, electric shock, and personal injury, including the following:

- 1. Avoid dangerous environments** – Do not use appliances in damp or wet locations. Do not use in rain.
- 2. Keep children and bystanders away** – Children and other spectators, including pets, should be kept at least 50 feet (15 meters) away from the work area. When the grass is cut, stones and debris contained in the grass can be picked up by the trimmer and dispersed into the air. These flying projectiles can cause blindness or other bodily injury.
- 3. Dress properly** – Always wear suitable clothing when using the trimmer to prevent head, hand, or feet injuries. Do not wear loose clothing or jewelry. They can get caught in moving parts.
- 4. Use safety glasses** – Also use safety footwear, snug-fitting clothing, protective gloves, hearing and head protection.
- 5. Use the right tools** – Do not use tools for any job except that for which they are intended.
- 6. Avoid unintentional starting** – Do not carry plugged-in tool with finger on the trigger. Make sure the switch is off before plugging in the tool.
- 7. Do not abuse the cord** – Never carry the tool by the cord or yank the cord to disconnect it from the receptacle. Keep the cord away from heat, oil, and sharp edges.
- 8. Do not force the tool** – It will do the job better and with less likelihood of injury if it is used at the rate for which it was designed.
- 9. Do not overreach** – Keep proper footing and balance at all times.
- 10. Stay alert** – Watch what you are doing. Use common sense. Do not operate the trimmer when you are tired, or under the influence of alcohol or drugs.
- 11. Disconnect the tool** – Turn the trimmer off and disconnect the plug when: the unit is not in use; it is left unattended; it is being examined because it is not working correctly; the power supply cable is damaged; the trimmer line is being removed or changed; or when the trimmer is being moved from one place to another.
- 12. Store idle tools indoors** – When not in use, tools should be stored indoors in a dry and high or locked-up place out of the reach of children.
- 13. Maintain tools with care** – Keep cutting edges sharp and clean for best performance and to reduce the risk of injury. Follow instructions for lubricating and changing accessories. Inspect the trimmer periodically and replace if damaged. Repair the trimmer only at an authorized service facility. Keep handle dry, clean, and free from oil and grease.
- 14. Checked for damaged parts** – Before continuing to use the trimmer, a guard or other part that is damaged should be carefully checked to determine that it will operate properly and perform its intended function. Check for the alignment of moving parts, binding of moving parts, breakage of parts, mounting, and any other condition that may affect the tool's operation. A guard or other part that is damaged should be properly repaired or replaced by an authorized service center unless indicated elsewhere in this manual.
- ⚠️ CAUTION!** The safety guard is critical to the safety of the operator and the safety of people standing within a safe distance of the trimmer. The safety guard keeps the unit in good working order and must always be in place during operation. Failure to have the guard in place during operation is dangerous and will void the warranty.
- 15. Keep away from the cutting line** – It can seriously injure the skin.
- 16. Do not try to stop the cutting device with your hands** – Always let it come to a stop by itself.

17. Inspect electrical cables – The insulation of the power cord should be perfectly intact. If the power cord is damaged or shows any signs of cracks, do not use the trimmer. Contact your authorized Snow Joe® + Sun Joe® dealer or call the Snow Joe® + Sun Joe® customer service center at 1-866-SNOWJOE (1-866-766-9563).

18. Keep guards in place and in working order.

⚠ CAUTION! The trimmer line spool will continue to rotate after turning the trimmer OFF. Wait until the trimmer line spool has completely stopped before making contact.

19. Only use the same type of line originally provided with the tool.

20. Do not use the unit to cut grass that is not in contact with the ground.

21. Do not switch the grass trimmer ON in enclosed or poorly ventilated spaces or in the presence of flammable and/or explosive substances such as liquids, gases, and powders.

22. The user of the trimmer is responsible for any damage sustained by third parties that has been caused by the grass trimmer within the working area.

23. Only cut during broad daylight or with adequate artificial light.

24. Do not cross roads or gravel paths while the unit is still running.

25. When the trimmer is not in use, store it in a dry place and out of the reach of children.

26. The trimmer must be operated in a vertical position, perpendicular to the ground.

27. Check regularly that all screws are properly secured.

Electrical Safety

1. Ground fault circuit interrupter (GFCI) protection should be provided on the circuit(s) or outlet(s) to be used for this electric grass trimmer. Receptacles are available having built-in GFCI protection and may be used for this measure of safety.
2. Make sure that the mains voltage matches that listed on the unit's rating label. Using the improper voltage can damage the motor and injure the user.
3. To reduce the risk of electric shock, this appliance has a polarized plug (i.e. one blade is wider than the other). Use this appliance only with a polarized UL-, CSA- or ETL-listed extension cord recommended for outdoor, all-weather use.

The appliance plug will fit into a polarized extension cord only one way. If the appliance plug does not fit fully into the extension cord, reverse the plug. If the plug still does not fit, obtain a correct polarized extension cord. A polarized extension cord will require the use of a

polarized wall outlet. The extension cord plug will fit into the polarized wall outlet only one way. If the plug does not fit fully into the wall outlet, reverse the plug. If the plug still does not fit, contact a qualified electrician to install the proper wall outlet. Do not modify the appliance plug, extension cord receptacle, or extension cord plug in any way.

4. To prevent electric shock, use only with an extension cord suitable for outdoor use, such as SW-A, SOW-A, STW-A, STOW-A, SJW-A, SJOW-A, SJTW-A, or SJTOW-A.

Before use, check that the extension cord is in good condition. When using an extension cord, make sure to use one heavy enough to carry the current your product will draw. An undersized cord will cause a drop in line voltage resulting in loss of power and overheating.

⚠ **WARNING** ⚠

Electric shock may cause SEVERE INJURY or DEATH. Heed these warnings:

- Do not allow any part of the electric grass trimmer to make contact with water while it is in operation. If the appliance becomes wet while turned off, wipe dry before starting.
- Use only a UL-, CSA-, or ETL-rated extension cord for outdoor, all-weather use.
- Do not use an extension cord over 100 ft (30 m).
- Do not touch the appliance or its plug with wet hands or while standing in water. Wearing rubber boots offers some protection.

EXTENSION CORD CHART


Extension Cord Length	Up to 50 ft (15 m)	+50 ft - 100 ft (+15 m - 30 m)
Wire Gauge (A.W.G.):	16	14

Additional Electrical Safety Rules

- The voltage must correspond to the one marked on the technical data plate (120 V~60 Hz). Do not use other sources of power.
- Never pass the grass trimmer over the extension cord when the grass trimmer is in use as this could cut the cord. Make sure you know where the cord is at all times.
- Never use the tool when it is raining or when excessively moist and humid conditions are present. Do not cut damp grass or leave the tool outside overnight.
- The power supply cable should be checked regularly to make sure it is perfectly intact without any signs of wear or damage. If the cable is not in good condition, do not use the unit.

- Only use an extension cable that is rated for outdoor use. Keep the extension cord away from the cutting area, sharp edges, heat, fuels, damp areas, and oily surfaces.
- **Damage to unit** – If the trimmer strikes a foreign object or becomes entangled with it, stop the tool immediately. Unplug it, check for damage, and have any damage repaired before proceeding with operation. Do not operate the tool with a broken spool cover or spool. Contact your authorized Snow Joe® + Sun Joe® dealer or call the Snow Joe® + Sun Joe® customer service center at 1-866-SNOWJOE (1-866-766-9563).
- **Damage to cord** – Keep power cord away from the rotating line. If you damage the cord, unplug it from the power supply before moving the tool or examining the damage. A damaged cord must be replaced before further use.
- **Do not operate portable electric tools in gaseous or explosive atmospheres** – Motors in these tools normally spark, and the sparks might ignite fumes.
- **Maintain appliances with care** – Follow instructions for lubricating and changing accessories. Inspect extension cords periodically and replace if damaged. Keep handle dry, clean, and free from oil and grease.

Double-Insulated Appliances

In a double-insulated appliance, two systems of insulation are provided instead of grounding. No grounding means is provided on a double-insulated appliance, nor should a means for grounding be added to the appliance. Servicing a double-insulated appliance requires extreme care and knowledge of the system, and should be performed only by qualified service personnel at an authorized Snow Joe® + Sun Joe® dealer. Replacement parts for a double-insulated appliance must be identical to the parts they replace. A double-insulated appliance is marked with the words “Double Insulation” or “Double Insulated.” The symbol  (square within a square) may also be marked on the appliance.











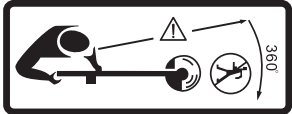


DOUBLE-INSULATED: GROUNDING NOT REQUIRED. WHEN SERVICING, USE ONLY IDENTICAL REPLACEMENT PARTS.

This electric grass trimmer is double-insulated, eliminating the need for a separate grounding system. Use only identical replacement parts. Read the instructions before servicing double-insulated appliances. Use this grass trimmer only as described in this manual.

Safety Symbols



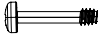
The following table depicts and describes safety symbols that may appear on this product. Read, understand, and follow all instructions on the machine before attempting to assemble and operate.

Symbols	Descriptions	Symbols	Descriptions
	READ THE OPERATOR'S MANUAL(S) – Read, understand, and follow all instructions in the user manual(s) before attempting to assemble and operate.		Keep bystanders and children a safe distance away.
	SAFETY ALERT – Indicates a precaution, a warning, or a danger.		WARNING! Do not expose the unit to rain or wet conditions.
	WEAR EYE AND HEARING PROTECTION – For protection against injury, wear ear defenders and safety goggles.		Beware of flying objects and debris.
	Wear protective gloves when using the machine and handling debris.		WARNING! Turn the machine OFF and disconnect it from the power supply before inspecting, cleaning, changing accessories, or conducting any other maintenance task.
	Immediately remove the plug from the mains if the power cable is damaged, frayed, or entangled. Always keep the power cable away from heat, oil and sharp edges.		DOUBLE INSULATION – When servicing, use only identical replacement parts.
			
<p>DANGER! Beware of thrown objects to bystanders. Keep bystanders at least 50 ft (15 m) away from the machine.</p>			

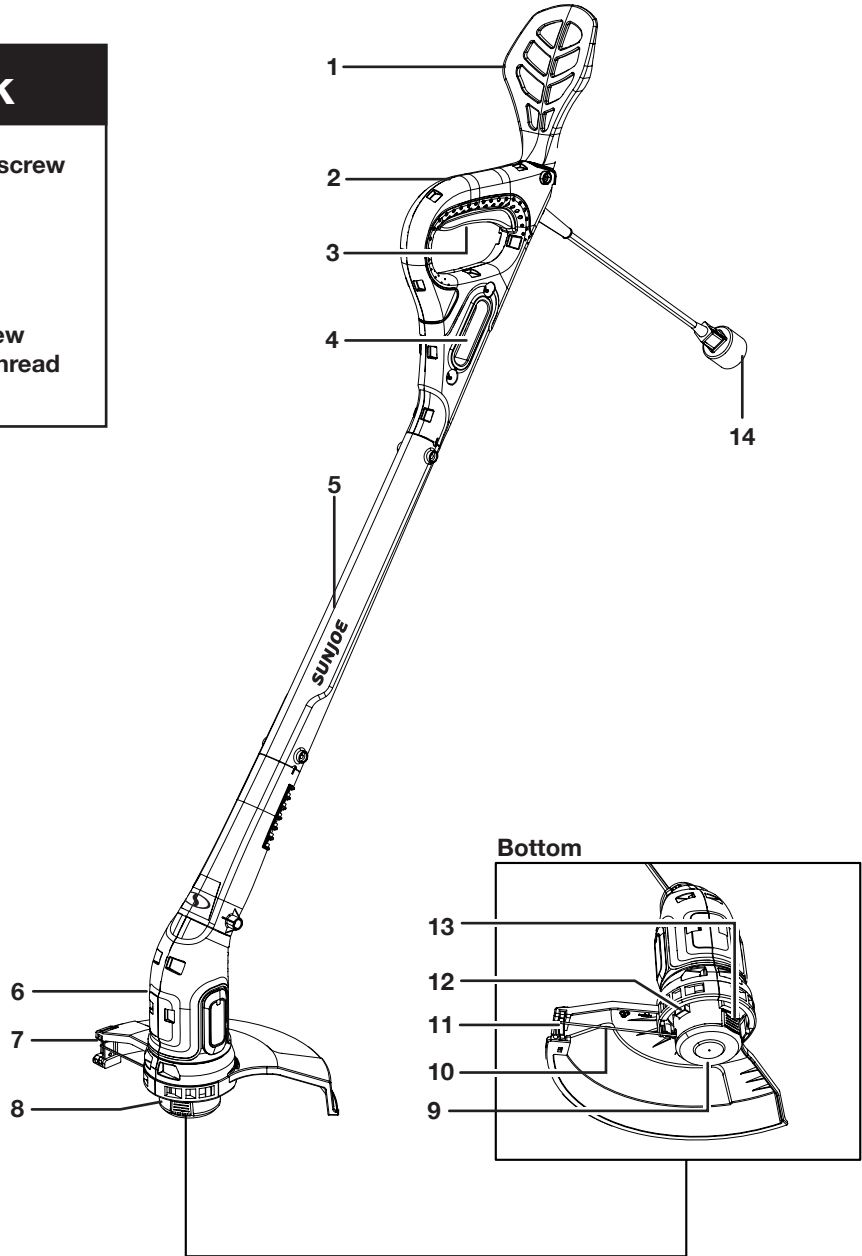
Know Your Electric Grass Trimmer

Read the owner's manual and safety instructions carefully before operating the electric grass trimmer. Compare the illustration below to your electric grass trimmer in order to familiarize yourself with the location of the various controls and adjustments. Save this manual for future reference.

Hardware Pack

	A	Support bracket screw ST4 x 12 Qty. 2
	B	Shaft screw ST4 x 16 Qty. 4
	C	Safety guard screw ST4 x 18 partial thread Qty. 1

1. Support bracket
2. Handle
3. ON/OFF trigger switch
4. Extension cord restraint
5. Pole shaft
6. Trimmer head shaft
7. Safety guard
8. Spool
9. Spool cover
10. Trimming line
11. Line trimming blade
12. Line feed button
13. Spool releasing tabs (2)
14. Appliance cord



Technical Data

Rated Voltage	120 V ~ 60 Hz	Line Diameter	0.063 in. (1.6 mm)
Motor	2.8 A	Trimming Line Length	9.8 ft (3 m)
No Load Speed	12,500 ± 10% rpm	Spool Advance	Semi-auto feed
Cutting Diameter	10 in. (25.4 cm)	Net Weight	2.6 lbs (1.2 kg)
		Gross Weight	3.7 lbs (1.7 kg)

Unpacking

Carton Contents

- Electric grass trimmer assembly (unconnected)
- Support bracket
- Safety guard
- ST4 x 18 partial thread screw (1)
- ST4 x 16 screws (4)
- ST4 x 12 screw (2)
- Manuals with registration card

1. Carefully remove the electric grass trimmer and check to see that all of the above items are supplied.
2. Inspect the product carefully to make sure no breakage or damage occurred during shipping. If you find damaged or missing parts, DO NOT return the unit to the store. Please call the Snow Joe® + Sun Joe® customer service center at 1-866-SNOWJOE (1-866-766-9563).

NOTE: Do not discard the shipping carton and packaging material until you are ready to use the electric grass trimmer. The packaging is made of recyclable materials. Properly dispose of these materials in accordance with local regulations.

IMPORTANT! The equipment and packaging material are not toys. Do not let children play with plastic bags, foils, or small parts. These items can be swallowed and pose a suffocation risk!

Assembly

⚠ WARNING! Do not connect to power supply until assembly is complete. Failure to comply could result in accidental starting and possible serious personal injury.

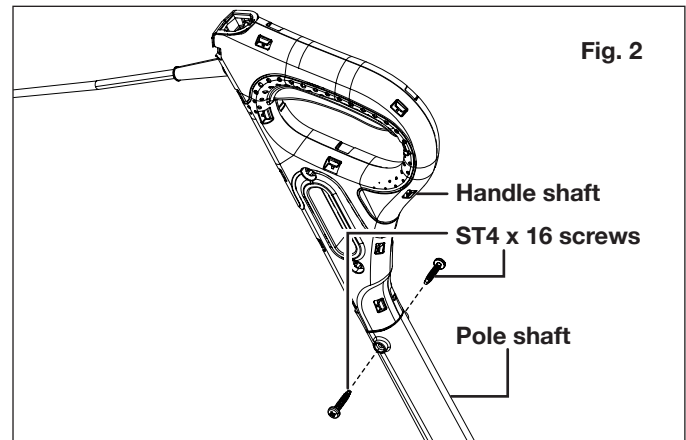
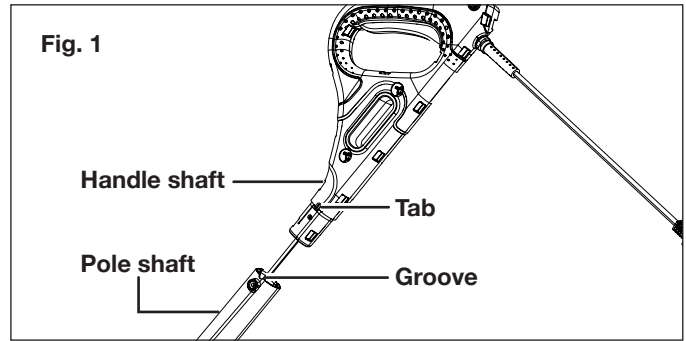
Fitting the Shafts

⚠ WARNING! Make sure all the shafts are fully installed before operating. Check the connection periodically during use to avoid serious injury.

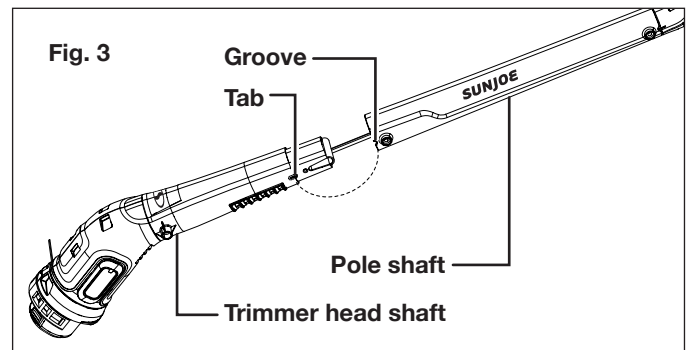
Standing in front of the trimmer to determine the right and left side of the unit.

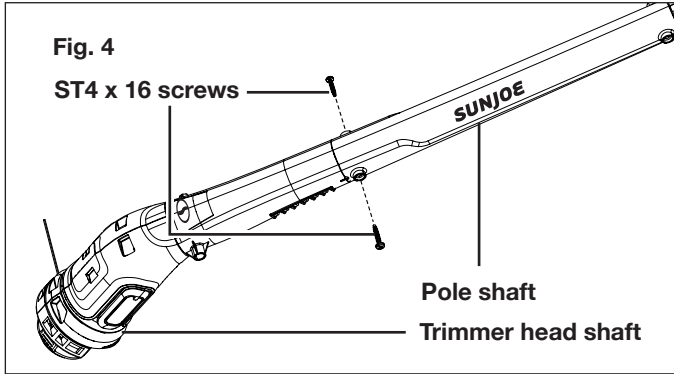
1. Aligning the round tab with arrow on right side of the handle shaft with the groove on right side of the upper end of the pole shaft, insert the handle shaft into the pole shaft until it locks in place. Secure with two ST4 x 16 screws provided (Figs. 1 - 2).

NOTE: You may have to carefully move the wiring inside the pole to one side if it blocks the path of the screws.



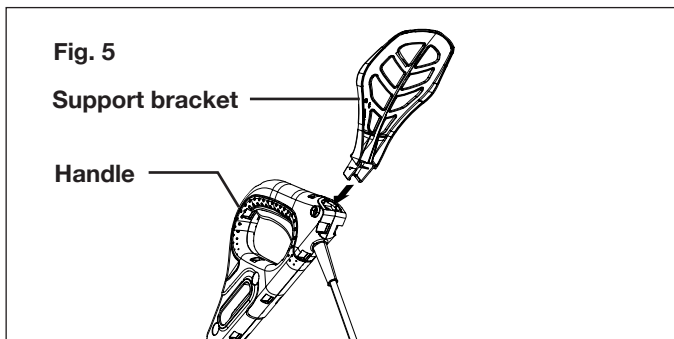
2. Aligning the round tab with arrow on the right side of the trimmer head shaft with the groove on the right side of the lower end of the pole shaft, insert the trimmer head shaft into the pole shaft until it locks securely in place. Secure with two ST4 x 16 screws provided (Figs. 3 - 4).



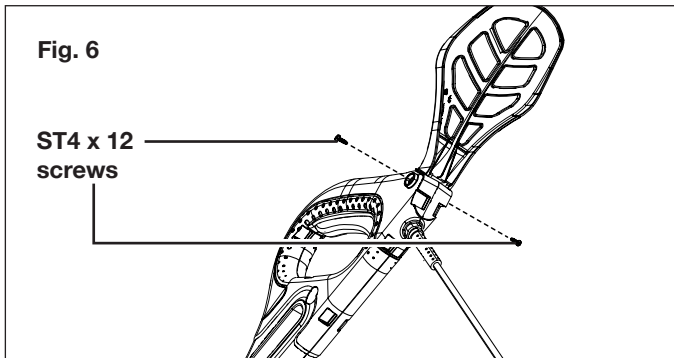


Fitting the Support Bracket

1. Hold the product steadily on the handle, and insert the support bracket on top of the handle. Press until it locks in place (Fig. 5).



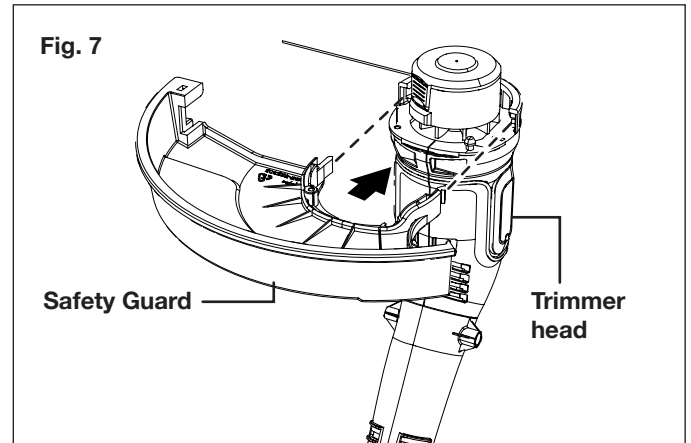
2. Fix the assembly with provided two ST4 x 12 screws (Fig. 6).



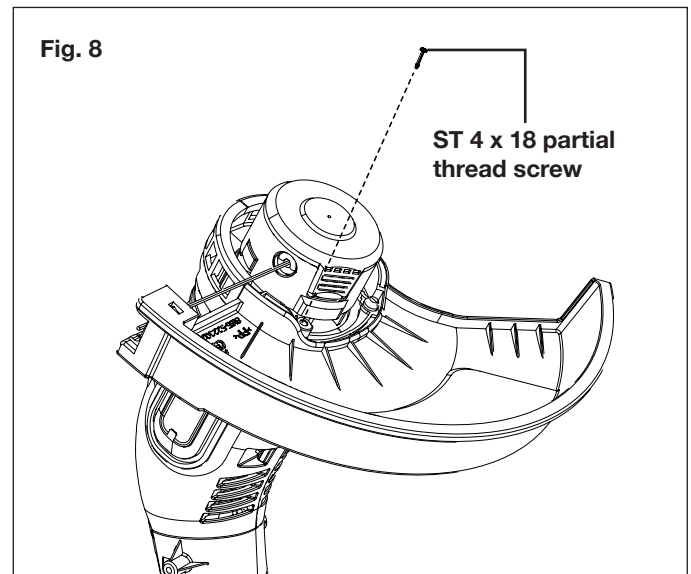
Fitting the Safety Guard

⚠️ WARNING! The safety guard must be properly installed. The guard provides the operator and other bystanders with some protection from thrown objects.

1. Fix the safety guard to the trimmer head, making sure the sides are located along the grooves on the trimmer head, as shown (Fig. 7).



2. Secure the safety guard onto the trimmer head with the ST 4 x 18 partial thread screw provided (Fig. 8).



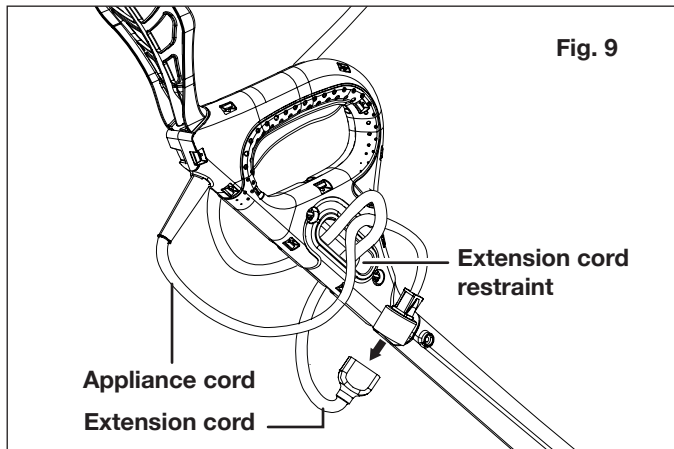
Operation

⚠️ WARNING! Do not allow familiarity with this product to make you careless. Remember that a careless fraction of a second is sufficient to inflict serious injury.

⚠️ WARNING! Always wear eye protection along with hearing protection. Failure to do so could result in objects being thrown into your eyes and other possible serious injuries.

Securing the Extension Cord

1. To prevent the grass trimmer appliance cord and extension cord from disconnecting during use, form the extension cord into a loop and insert the loop into the extension cord restraint. Insert the appliance cord into the loop (Fig. 9).
2. Connect the extension cord to the appliance cord (Fig. 9).

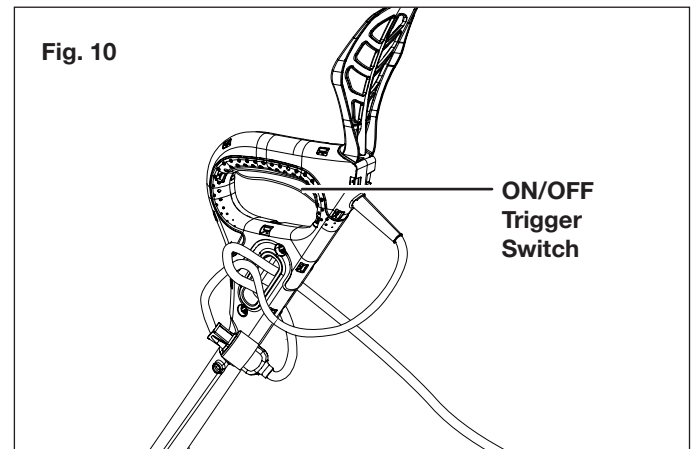


⚠️ WARNING! Remove stones, loose pieces of wood, and other objects from the cutting area. The trimming line continues to rotate for a few seconds after switching off the trimmer. Let the motor come to a complete stop before resuming operation. Do not rapidly switch the trimmer off and on.

⚠️ CAUTION! Always wear eye protection.

Starting + Stopping

1. To switch on the trimmer, press and hold the trigger switch. Release the trigger to stop (Fig. 10).



Trimming

- Hold the grass trimmer with your right hand on the handle, rest your arm on the support bracket and your left hand on the trimmer pole. The grass trimmer should be held at a comfortable position with the handle about hip height.
- Wear non-slip gloves for maximum grip and protection.
- For the best cutting action against walls, fences, and in high grass, move the grass trimmer slowly so grass is cut with the tip of the high speed nylon line.
- Avoid dragging the grass trimmer and string spool cover in contact with the ground.
- Trim only when grass and weeds are dry.

NOTE: As the weather becomes cooler, the tendency for the nylon line to break becomes greater. **DO NOT USE WHEN TEMPERATURE IS BELOW 50°F (10°C).**

- Cut tall grass from top down. This will prevent grass from wrapping around the shaft housing and string head which may cause damage from overheating.
- If grass becomes wrapped around the string head:
 - Stop the trimmer.
 - Unplug the trimmer.
 - Remove the grass.

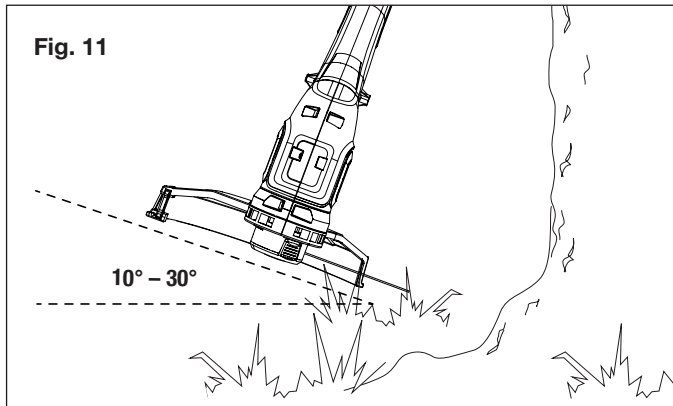
⚠️ WARNING! Always hold the trimmer away from body. Any contact with the grass trimmer cutting head while operating can result in serious personal injury.

- The life of your nylon line is dependent upon following instructions for proper use, as well as what is being cut, and where the cutting is being done.

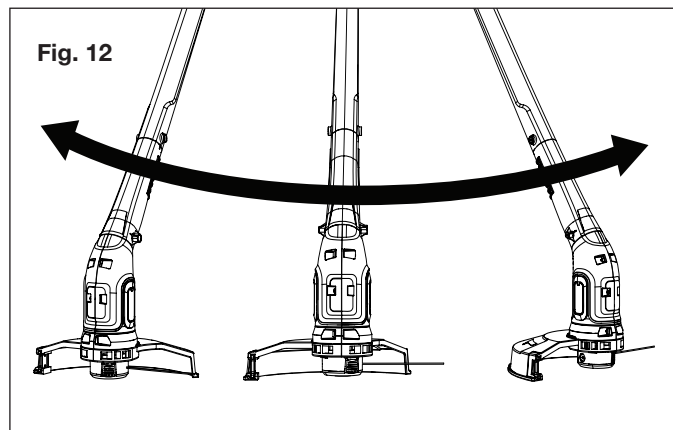
⚠️ WARNING! Do not operate the grass trimmer in a tree, on a ladder, or on a scaffold; this is extremely dangerous.

⚠️ CAUTION! Always wear eye protection.

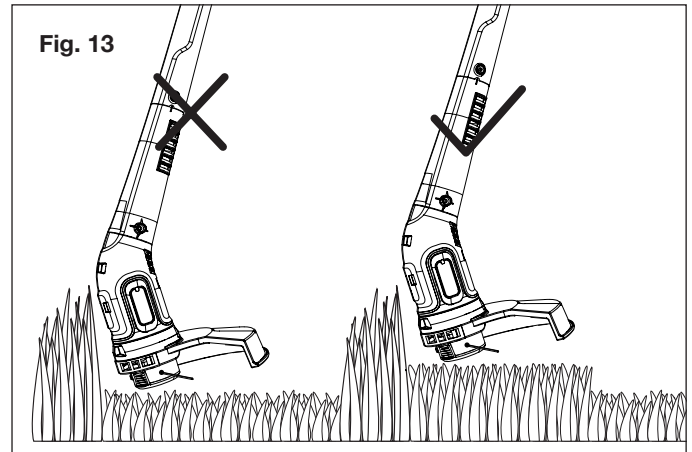
1. For best cutting performance, hold the trimmer at an angle of approximately 10 – 30 degrees to the work area (Fig. 11).



2. Slowly swing the trimmer from side to side (Fig. 12).



3. Do not overload your trimmer; instead, take small “bites” of grass, working from the top to the bottom. This will keep the machine operating at high speed and will greatly improve its cutting efficiency (Fig. 13).

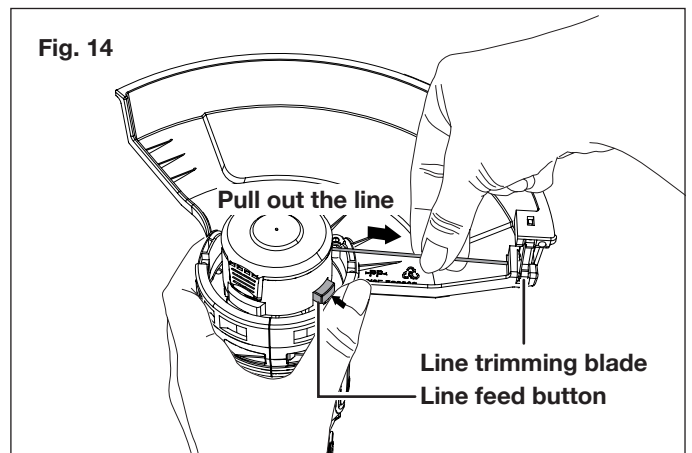


Advancing Trimmer Line

Your trimmer uses 0.063 in. (1.6 mm) diameter nylon line to cut grass and weeds quickly and easily. For efficiently feeding the line, the trimmer is equipped with semi-auto line feeding system, which will automatically advance the trimming line every time the trimmer is stopped and restarted. The excess line will be cut by the line trimming blade during operation.

Users can also manually advance the line using the line feed button, following the instructions below.

1. Turn off the machine and unplug the appliance cord, wait until the spool comes to a complete stop.
2. Turn over the trimmer. While gently pulling out the line, keep pressing and releasing the line feed button until the trimming line is long enough to reach the line trimming blade (Fig. 14).



NOTE: The machine will release only 0.2 inch (5 mm) trimmer line every time the line feed button is pressed. To keep advancing the line, make sure to release the line feed button and press again, until the line reached the desired length.

NOTE: Make sure the end of the line won't pass the line trimming blade. If too much line is fed out, remove the spool cap and turn spool counter-clockwise until the line is at the desired length.

3. Plug the appliance cord and resume working.

Maintenance

⚠️ WARNING! Always switch the product off, and let the product cool down before performing inspection, maintenance and cleaning work! Maintain this product regularly and carefully! If the product is not maintained properly, it may fail at its intended task, which may produce fatal consequences.

⚠️ WARNING! Only perform repairs and maintenance work according to these instructions! All further works must be performed by a qualified specialist!

⚠️ WARNING! Always wear protective gloves during maintenance tasks. Do not carry out maintenance when the motor is running or hot.

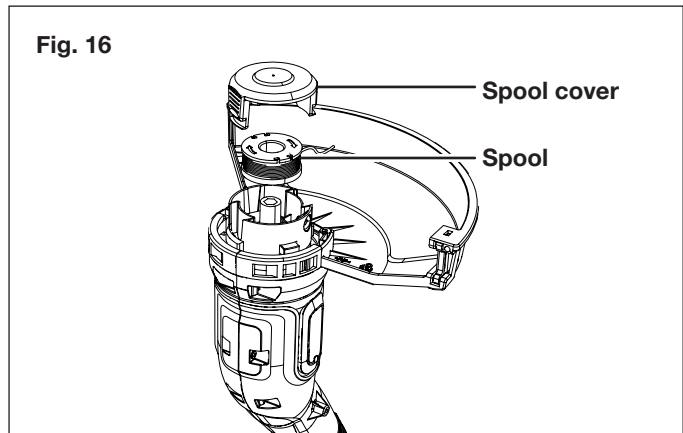
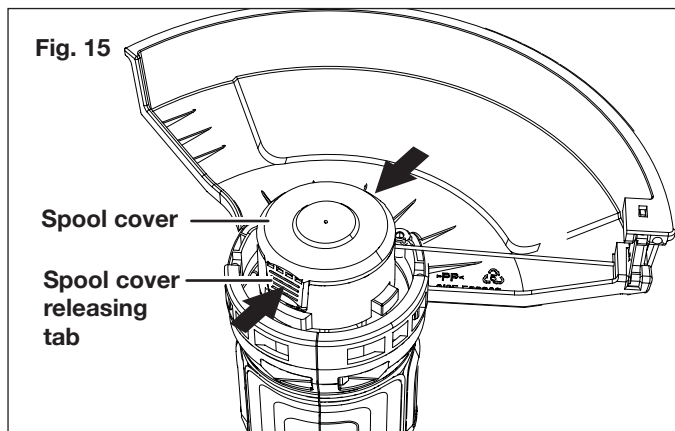
- Never use water or chemical cleaners to clean your grass trimmer. Wipe it clean with a dry cloth.
- Plastic parts may be cleaned by using mild soap and a damp rag.
- Always store your trimmer in a dry place. Do not allow any liquid to get inside it.
- Your trimming line can dry out over time. To keep your line in top condition, store spare pre-wound spools or bulk line in a plastic resealable bag with a tablespoon of water.

IMPORTANT! To ensure product safety and reliability, repairs, maintenance, and adjustments to this power tool should be performed only with identical replacement parts. Contact your authorized Snow Joe® + Sun Joe® dealer or call the Snow Joe® + Sun Joe® customer service center at 1-866-SNOWJOE (1-866-766-9563) for assistance.

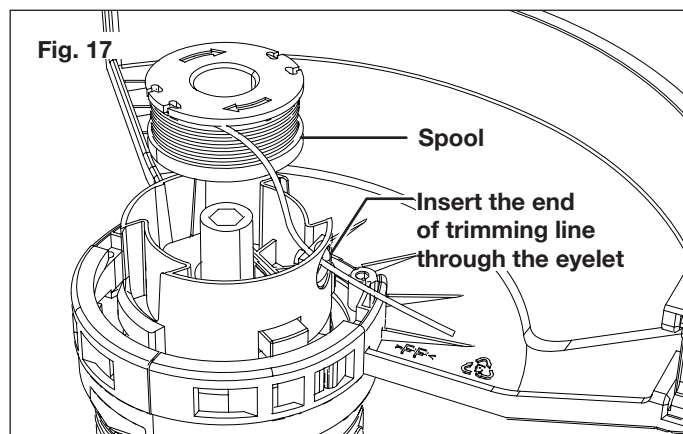
Replacing the Spool + Clearing Jams and Tangled Lines

⚠️ WARNING! Unplug the extension cord from the mains power plug before changing the trimming line.

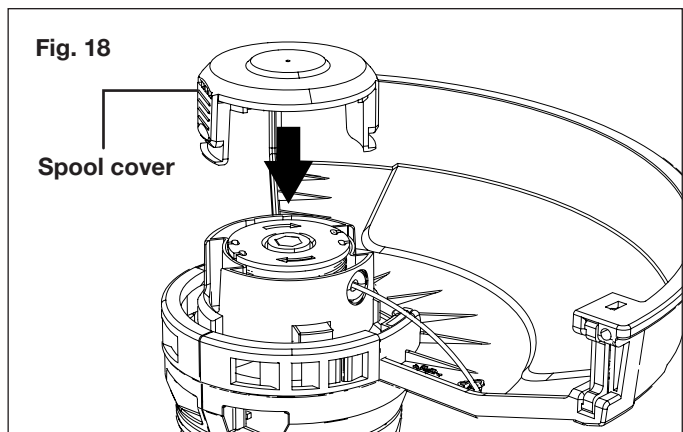
1. Press together both release tabs on the line spool cover to remove the cover and the spool by pulling them straight off (Fig. 15 – 16).



2. Remove any broken trimming line, wind the remaining line tight and re-insert the spool into the spool cover as follow, or insert a new pre-wound spool.
3. To use a new spool, first unhook the end of the cutting line from the spool, and insert the end of the cutting line through the eyelet on the machine (Fig. 17).



4. Insert the spool inside the machine, press hard until it clicks in place. Adjust the length of the trimming line outside by pulling the trimming line to lengthen, or rotating the spool counter-clockwise to shorten. Replace the spool cover, make it sit securely to lock the assembly (Fig. 18).



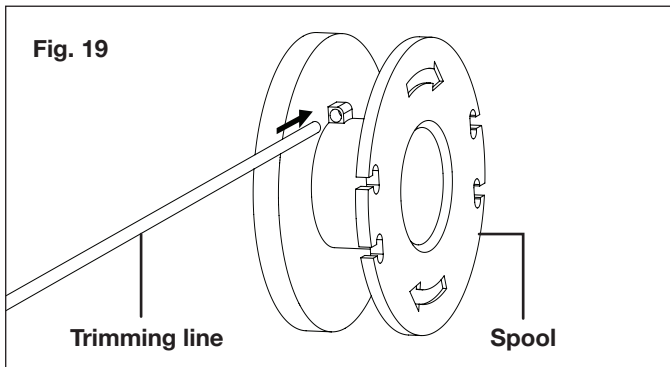
IMPORTANT! Only use original replacement parts specified for this machine.

You can purchase a 6-pack replacement pre-wound spool (Model TRJ608E-RS-6PK) and other genuine replacement parts by visiting us online at sunjoe.com or calling our toll-free customer service helpline at 1-866-SNOWJOE (1-866-766-9563). The use of parts that do not meet the original equipment specifications may lead to improper performance of the grass trimmer, may compromise operator safety and will void the manufacturer's warranty.

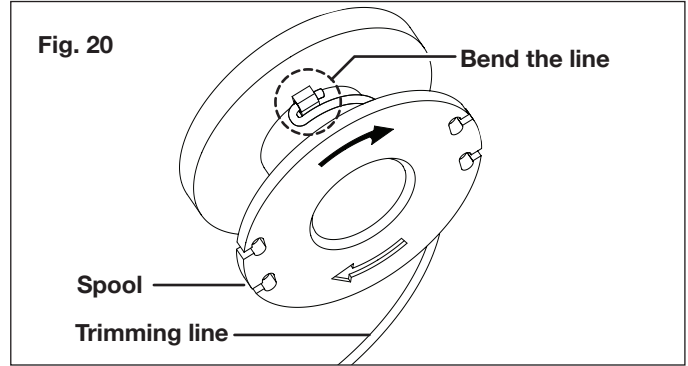
Winding the Line

NOTE: A 6-pk single-line factory wound spool (model TRJ608E-RS-6PK) is available for easy spool replacement on the TRJ608E electric grass trimmer. Visit sunjoe.com to purchase this accessory online. Should you wish to wind the line yourself, the instructions are provided below. Self-winding, however, is **NOT** recommended because if the line is not wound properly it can cause the trimmer's semi-automatic feed system to malfunction. For this reason, users are strongly urged to purchase the pre-wound spool.

1. Turn off and unplug the grass trimmer. Make sure the spool has come to a complete stop.
2. To remove the spool from the trimmer hub, follow steps 1 and 2 from the section "Replacing the Spool + Clearing Jams and Tangled Lines" beginning on page 10.
3. Measure and cut a 9.8 ft (3 m) piece of new trimming line. Insert the end of the trimming line into the small hole located inside of the spool (Fig. 19).



4. Bend the trimming line 180 degree around the hole, secure the bending part with your left hand thumb, and use your right hand to wind the line according to the arrows on the spool (Fig. 20). Use slight tension to make sure the line is tight around the spool.



5. Re-install the spool as instructed in steps 3 to 4 of "Replacing the Spool + Clearing Jams and Tangled Lines".

CAUTION! Catapulted pieces of nylon line may cause injury.

WARNING! Pay attention to the winding direction.

NOTE: Always replace the spool with a new pre-wound spool. Visit sunjoe.com to purchase the pre-wound spool (model TRJ608E-RS-6PK) for this electric grass trimmer.

IMPORTANT: Keep all areas of the cutting head and cutting head cover clean. Place the cap back by pushing it firmly onto the cutting head. To ensure that the cutting head cover is correctly fitted, try to remove it without depressing the two tabs. If it is correctly fitted, it should not move.

Storage

Follow these recommendations for storing the trimmer.

- Clean the trimmer thoroughly before storing.
- Store the trimmer in a stable and safe position out of the reach of children. Keep the trimmer in a dry place where the temperature is not too hot or too cold.
- When storing the trimmer, do not rest it against the floor. Hang it by the upper handgrip so that the guard does not touch anything. If the guard rests against a surface, its shape and dimensions could be permanently altered, and could render the machine unsafe to use.

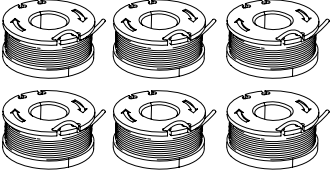
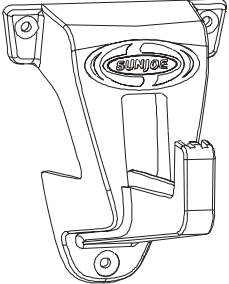
Troubleshooting

Most difficulties are easy to fix. Consult the troubleshooting table for common problems and their solutions. If you continue to experience problems or need repairs beyond these minor adjustments, please call 1-866-SNOWJOE (1-866-766-9563) for assistance.

Problems	Possible Cause	Possible Solution
The motor does not run or the tool runs slowly	<ul style="list-style-type: none"> • Power failure/unit not plugged into a working receptacle. • Spool housing cannot rotate freely. • Trimming line does not protrude. 	<ul style="list-style-type: none"> • Check to make sure the unit is plugged into a working outlet. Make sure the extension cord is not damaged. • Remove the spool and clean the slots; carefully remove any grass and weeds or other debris. • Cut the spool line off so that it just reaches the line trimming blade. • Take the trimmer to an authorized service center if the trimmer does not start after completing these checks.
Semi-auto line feeding system does not work	<ul style="list-style-type: none"> • Line trimming blade bound with accumulated grass. • The spool runs out of line. • Spool bound up. • Spool line twisted when refilled. • Not enough line is exposed. 	<ul style="list-style-type: none"> • Stop the machine and clean the line trimming blade. • Install a new spool of cutting line. • Remove the spool cover and pull the trimming line until it reaches the line trimming blade.
Line fails to cut off	<ul style="list-style-type: none"> • Line trimming blade in guard is covered, damaged, or missing. • Line extends past guard. 	<ul style="list-style-type: none"> • Contact your authorized Snow Joe® + Sun Joe® dealer or call Snow Joe® + Sun Joe® customer service center at 1-866-SNOWJOE (1-866-766-9563). • Rewind or trim line to the line trimming blade

Optional Accessories

⚠️ WARNING! ALWAYS use only authorized Snow Joe® + Sun Joe® replacement parts and accessories. NEVER use replacement parts or accessories that are not intended for use with this electric grass trimmer. Contact Snow Joe® + Sun Joe® if you are unsure whether it is safe to use a particular replacement part or accessory with your electric grass trimmer. The use of any other attachment or accessory can be dangerous and could cause injury or mechanical damage.

Accessories	Item	Model
<p>①</p> 	<p>Single-line pre-wound spool (6-Pack)</p>	<p>TRJ608E-RS-6PK</p>
<p>②</p> 	<p>Snow Joe® + Sun Joe® universal wall bracket</p>	<p>SJWB</p>

NOTE: Accessories are subject to change without any obligation on the part of Snow Joe® + Sun Joe® to provide notice of such changes. Accessories can be ordered online at sunjoe.com or via phone by contacting the Snow Joe® + Sun Joe® customer service center at 1-866-SNOWJOE (1-866-766-9563).



SNOW JOE® + SUN JOE® CUSTOMER PROMISE

ABOVE ALL ELSE, Snow Joe, LLC (“Snow Joe”) is dedicated to you, our customer. We strive to make your experience as pleasant as possible. Unfortunately, there are times when a Snow Joe®, Sun Joe®, or Aqua Joe® product (“Product”) does not work or breaks under normal operating conditions. We think it’s important that you know what you can expect from us. That’s why we have a Limited Warranty (“Warranty”) for our Products.

OUR WARRANTY:

Snow Joe warrants new, genuine, powered and non-powered Products to be free from defects in material or workmanship when used for ordinary household use for a period of two years from the date of purchase by the original, end-user purchaser when purchased from Snow Joe or from one of Snow Joe’s authorized sellers with proof of purchase. Because Snow Joe is unable to control the quality of its Products sold by unauthorized sellers, unless otherwise prohibited by law, this Warranty does not cover Products purchased from unauthorized sellers. If your Product does not work or there’s an issue with a specific part that is covered by the terms of this Warranty, Snow Joe will elect to either (1) send you a free replacement part, (2) replace the Product with a new or comparable product at no charge, or (3) repair the Product. How cool is that!

This Warranty gives you specific legal rights, and you may also have other rights which vary from State to State.

PRODUCT REGISTRATION:

Snow Joe strongly encourages you to register your Product. You can register online at snowjoe.com/register, or by printing and mailing in a registration card available online from our website, or calling our Customer Service Department at **1-866-SNOWJOE (1-866-766-9563)**, or by e-mailing us at help@snowjoe.com. Failure to register your Product will not diminish your warranty rights. However, registering your Product will allow Snow Joe to better serve you with any of your customer service needs.

WHO CAN SEEK LIMITED WARRANTY COVERAGE:

This Warranty is extended by Snow Joe to the original purchaser and original owner of the Product.

WHAT IS NOT COVERED?

This Warranty does not apply if the Product has been used commercially or for non-household or rental applications. This Warranty also does not apply if the Product was purchased from an unauthorized seller. This Warranty also does not cover cosmetic changes that do not affect performance. Wearing parts like belts, augers, chains and tines are not covered under this Warranty, and can be purchased at snowjoe.com or by calling **1-866-SNOWJOE (1-866-766-9563)**.



sunjoe.com